

ROOF DECK DESIGN MANUAL

FIRST EDITION

NOVEMBER 2012

First and Second Printing

Errata #2

11 November 2014

In Figure 1.3, change the bottom flange width as shown.

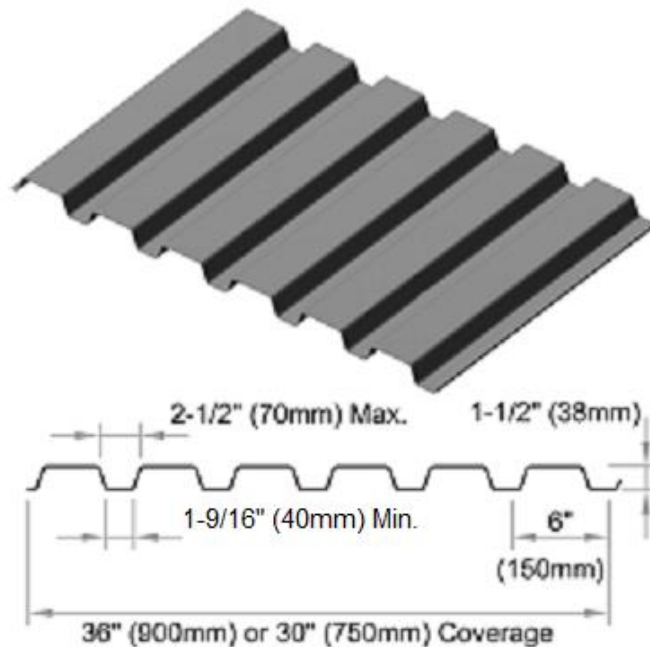


Figure 1.3 – Wide Rib (WR) Deck